

## DS-2CD2583G2-I(S) 8 MP AcuSense Fixed mini Dome Network Camera

### AcuSense



Empowered by deep learning algorithms, Hikvision AcuSense technology brings human and vehicle targets classification alarms to front- and back-end devices. The system focuses on human and vehicle targets, vastly improving alarm efficiency and effectiveness.

- High quality imaging with 8 MP resolution
- Clear imaging against strong backlight due to 120 dB WDR technology
- Efficient H.265+ compression technology
- Focus on human and vehicle targets classification based on deep learning
- -S: Audio and alarm interface available
- Water and dust resistant (IP67) and vandal resistant (IK08)



## ▪ Specification

| Camera                 |  |
|------------------------|--|
| Image Sensor           | 1/2.8" Progressive Scan CMOS   |
| Max. Resolution        | 3840 × 2160  |
| Min. Illumination      | Color: 0.005 Lux @ (F1.6, AGC ON), B/W: 0 Lux with IR  |
| Shutter Speed          | 1/3 s to 1/100,000 s   |
| Day & Night            | IR cut filter  |
| Angle Adjustment       | Pan: -30° to 30°, tilt: 0° to 75°, rotate: 0° to 360°  |
| Lens                   |  |
| Lens Type              | Fixed focal lens, 2.8 and 4 mm optional  |
| Focal Length & FOV     | 2.8 mm, horizontal FOV 106.4°, vertical FOV 58.4°, diagonal FOV 124.8°<br>4 mm, horizontal FOV 87.6°, vertical FOV 44.4°, diagonal FOV 104.9°  |
| Lens Mount             | M12  |
| Iris Type              | Fixed  |
| Aperture               | F1.6   |
| Depth of Field         | 2.8 mm: 1.4 m to ∞<br>4 mm: 2.1 m to ∞   |
| DORI                   |  |
| DORI                   | 2.8 mm:<br>D: 88 m<br>O: 35 m<br>R: 18 m<br>I: 9 m<br>4 mm:<br>D: 118 m<br>O: 47 m<br>R: 24 m<br>I: 12 m   |
| Illuminator            |  |
| Supplement Light Type  | IR   |
| Supplement Light Range | Up to 30 m   |
| Smart Supplement Light | Yes  |
| IR Wavelength          | 850 nm   |
| Video                  |  |
| Main Stream            | 50 Hz:<br>20 fps (3840 × 2160)<br>25 fps (3200 × 1800, 2688 × 1520, 1920 × 1080, 1280 × 720)<br>60 Hz:<br>20 fps (3840 × 2160)<br>30 fps (3200 × 1800, 2688 × 1520, 1920 × 1080, 1280 × 720) |
| Sub Stream             | 50 Hz: 25 fps (640 × 480, 640 × 360)<br>60 Hz: 30 fps (640 × 480, 640 × 360)   |
| Third Stream           | 50 Hz: 10 fps (1920 × 1080, 1280 × 720, 640 × 480, 640 × 360)<br>60 Hz: 10 fps (1920 × 1080, 1280 × 720, 640 × 480, 640 × 360)<br>*Third stream is supported under certain settings.         |

|                             |  |
|-----------------------------|--|
| Video Compression           | Main stream: H.265/H.264/H.264+/H.265+<br>Sub-stream: H.265/H.264/MJPEG<br>Third stream: H.265/H.264   |
| Video Bit Rate              | 32 Kbps to 16 Mbps   |
| H.264 Type                  | Baseline Profile/Main Profile/High Profile   |
| H.265 Type                  | Main Profile   |
| Bit Rate Control            | CBR/VBR  |
| Scalable Video Coding (SVC) | H.264 and H.265 encoding   |
| Region of Interest (ROI)    | 1 fixed region for main stream and sub-stream  |
| <b>Audio</b>                |  |
| Environment Noise Filtering | Yes  |
| Audio Sampling Rate         | 8 kHz/16 kHz/32 kHz/44.1 kHz/48 kHz  |
| Audio Compression           | G.711ulaw/G.711alaw/G.722.1/G.726/MP2L2/PCM/MP3/AAC  |
| Audio Bit Rate              | 64 Kbps (G.711ulaw/G.711alaw)/16 Kbps (G.722.1)/16 Kbps (G.726)/32 to 192 Kbps (MP2L2)/8 to 320 Kbps (MP3)/16 to 64 Kbps (AAC)   |
| <b>Network</b>              |  |
| Simultaneous Live View      | Up to 6 channels   |
| API                         | Open Network Video Interface (Profile S, Profile G), ISAPI, SDK  |
| Protocols                   | TCP/IP, ICMP, HTTP, HTTPS, FTP, DHCP, DNS, DDNS, RTP, RTSP, NTP, UPnP, SMTP, IGMP, 802.1X, QoS, IPv6, UDP, Bonjour, SSL/TLS, PPPoE, WebSocket, WebSockets  |
| User/Host                   | Up to 32 users. 3 user levels: administrator, operator and user  |
| Security                    | Password protection, complicated password, HTTPS encryption, IP address filter, Security Audit Log, basic and digest authentication for HTTP/HTTPS, TLS 1.1/1.2, WSSE and digest authentication for Open Network Video Interface |
| Network Storage             | NAS (NFS, SMB/CIFS), auto network replenishment (ANR)  |
| Client                      | iVMS-4200, Hik-Connect, Hik-Central  |
| Web Browser                 | Plug-in required live view: IE 10, IE 11<br>Plug-in free live view : Chrome 57.0+, Firefox 52.0+<br>Local service: Chrome 57.0+, Firefox 52.0+   |
| <b>Image</b>                |  |
| Wide Dynamic Range (WDR)    | 120 dB   |
| SNR                         | ≥ 52 dB  |
| Day/Night Switch            | Day, Night, Auto, Schedule   |
| Image Enhancement           | BLC, HLC, 3D DNR   |
| Image Parameters Switch     | Yes  |
| Image Settings              | Rotate, mirror, privacy mask, saturation, brightness, contrast, sharpness, gain, white balance adjustable by client software or web browser  |
| <b>Interface</b>            |  |
| Ethernet Interface          | 1 RJ45 10 M/100 M self-adaptive Ethernet port  |
| On-Board Storage            | Built-in memory card slot, support microSD card, up to 256 GB  |
| Built-in Microphone         | Yes  |

|                                  |   |
|----------------------------------|---|
| Audio                            | -IS:<br>1 input (line in), two-core terminal block, max. input amplitude: 3.3 Vpp, input impedance: 4.7 K $\Omega$ , interface type: non-equilibrium<br>1 output (line out), two-core terminal block, max. output amplitude: 3.3 Vpp, output impedance: 100 $\Omega$ , interface type: non-equilibrium  |
| Alarm                            | -IS:<br>1 input, 1 output (max. 12 VDC, 20 mA)  |
| Reset Key                        | Yes   |
| <b>Event</b>                     |   |
| Basic Event                      | Motion detection (human and vehicle targets classification), video tampering alarm, exception   |
| Smart Event                      | Line crossing detection, intrusion detection  |
| Linkage                          | Upload to FTP/memory card/NAS, notify surveillance center, trigger recording, trigger capture, send email   |
| <b>Deep Learning Function</b>    |   |
| Face Capture                     | Yes   |
| Perimeter Protection             | Line crossing, intrusion<br>Support alarm triggering by specified target types (human and vehicle)  |
| <b>General</b>                   |   |
| Power                            | 12 VDC $\pm$ 25%, 0.54 A, max. 6.5 W, $\varnothing$ 5.5 mm coaxial power plug, reverse polarity protection<br>PoE: (802.3af, Class 3, 36 V to 57 V), 0.22 A to 0.14 A, max. 8 W   |
| Camera Material                  | Base: aluminum, cover: plastic  |
| Camera Dimension                 | $\varnothing$ 113.6 mm $\times$ 72.6 mm ( $\varnothing$ 4.5" $\times$ 2.9")   |
| Package Dimension                | 134 mm $\times$ 134 mm $\times$ 108 mm (5.3" $\times$ 5.3" $\times$ 4.3")   |
| Camera Weight                    | Approx. 400 g (0.9 lb.)   |
| With Package Weight              | Approx. 635 g (1.4 lb.)   |
| Storage Conditions               | -30 $^{\circ}$ C to 60 $^{\circ}$ C (-22 $^{\circ}$ F to 140 $^{\circ}$ F). Humidity 95% or less (non-condensing)   |
| Startup and Operating Conditions | -30 $^{\circ}$ C to 60 $^{\circ}$ C (-22 $^{\circ}$ F to 140 $^{\circ}$ F). Humidity 95% or less (non-condensing)   |
| Language                         | 33 languages: English, Russian, Estonian, Bulgarian, Hungarian, Greek, German, Italian, Czech, Slovak, French, Polish, Dutch, Portuguese, Spanish, Romanian, Danish, Swedish, Norwegian, Finnish, Croatian, Slovenian, Serbian, Turkish, Korean, Traditional Chinese, Thai, Vietnamese, Japanese, Latvian, Lithuanian, Portuguese (Brazil), Ukrainian |
| General Function                 | Anti-flicker, heartbeat, password reset via e-mail, pixel counter   |
| <b>Approval</b>                  |   |
| EMC                              | FCC (47 CFR Part 15, Subpart B)<br>CE-EMC (EN 55032: 2015, EN 61000-3-2: 2019, EN 61000-3-3: 2013+A1: 2019, EN 50130-4: 2011+A1: 2014)<br>RCM (AS/NZS CISPR 32: 2015)<br>IC (ICES-003: Issue 7)<br>KC (KN32: 2015, KN35: 2015)  |
| Safety                           | UL (UL 62368-1)<br>CB (IEC 62368-1: 2014+A11)<br>CE-LVD (EN 62368-1: 2014/A11: 2017)  |

|                              |   |
|------------------------------|---|
| Environment                  | CE-RoHS (2011/65/EU)<br>WEEE (2012/19/EU)<br>Reach (Regulation (EC) No 1907/2006) |
| Electrical Safety Protection | IP67 (IEC 60529-2013)<br>IK10 (IEC 62262: 2002)                                   |

▪ **Available Model**

- DS-2CD2583G2-IS (2.8/4 mm)
- DS-2CD2583G2-I (2.8/4 mm)
- DS-2CD2583G2-IS (2.8 mm) (BLACK)

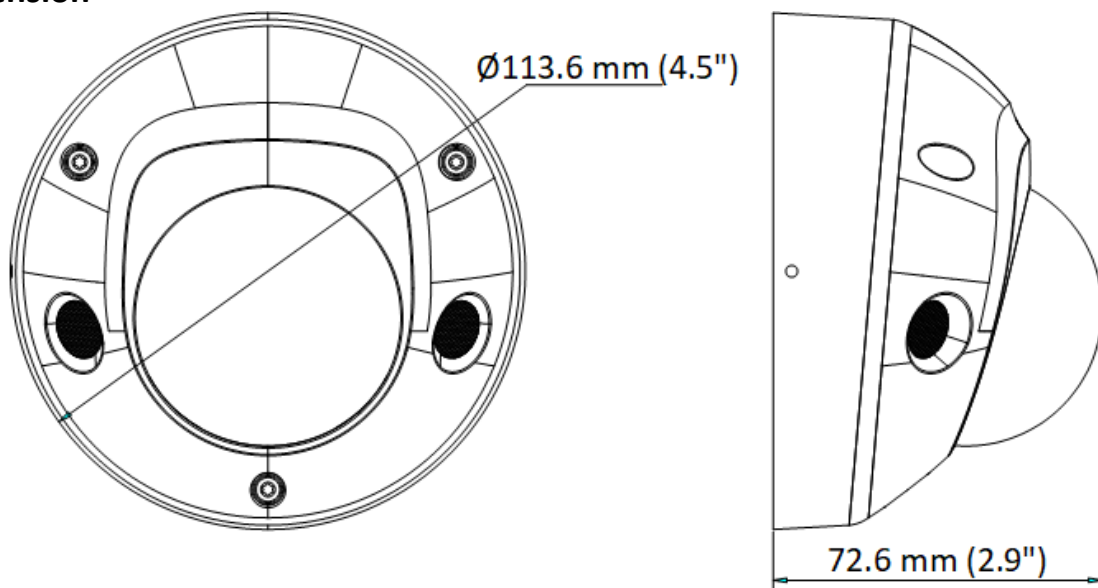
▪ **Typical Application**

Hikvision products are classified into three levels according to their anti-corrosion performance. Refer to the following description to choose for your using environment.

This model has NO SPECIFIC PROTECTION.

| Level                  | Description  |
|------------------------|--|
| Top-level protection   | Hikvision products at this level are equipped for use in areas where professional anti-corrosion protection is a must. Typical application scenarios include coastlines, docks, chemical plants, and more.   |
| Moderate protection    | Hikvision products at this level are equipped for use in areas with moderate anti-corrosion demands. Typical application scenarios include coastal areas about 2 kilometers (1.24 miles) away from coastlines, as well as areas affected by acid rain. |
| No specific protection | Hikvision products at this level are equipped for use in areas where no specific anti-corrosion protection is needed.  |

▪ **Dimension**



Unit: mm (inch)



▪ **Accessory**

▪ **Optional**

|  |   |  |  |  |
|--|---|--|--|--|
| <p><b>DS-1276ZJ-SUS</b><br/>Corner Mount</p>                                       | <p><b>DS-1275ZJ-SUS</b><br/>Vertical Pole Mount</p>                               | <p><b>DS-1275ZJ-SUS(Black)</b><br/>Vertical Pole Mount</p>                         | <p><b>DS-1272ZJ-120</b><br/>Wall Mount</p>   | <p><b>DS-1280ZJ-DM46(Black)</b><br/>Junction Box</p>                                 |
|   |  |   |   |   |
| <p><b>DS-1276ZJ-SUS(Black)</b><br/>Corner Mount</p>                                | <p><b>DS-1280ZJ-DM46</b><br/>Junction Box</p>                                     | <p><b>DS-1272ZJ-120B</b><br/>Wall Mount</p>  | <p><b>DS-1271ZJ-120(Black)</b><br/>Pendant Mount</p>                                 | <p><b>DS-1271ZJ-120</b><br/>Pendant Mount</p>  |
|  |  |  |  |  |

Distributed by

**HIKVISION®****Headquarters**

No.555 Qianmo Road, Binjiang District,  
Hangzhou 310051, China  
T +86-571-8807-5998  
overseasbusiness@hikvision.com

**Hikvision USA**  
T +1-909-895-0400  
sales.usa@hikvision.com

**Hikvision Australia**  
T +61-2-8599-4233  
salesau@hikvision.com

**Hikvision India**  
T +91-22-28469900  
sales@pramahikvision.com

**Hikvision Canada**  
T +1-866-200-6690  
sales.canada@hikvision.com

**Hikvision Thailand**  
T +662-275-9949  
sales.thailand@hikvision.com

**Hikvision Europe**  
T +31-23-5542770  
sales.eu@hikvision.com

**Hikvision Italy**  
T +39-0438-6902  
info.it@hikvision.com

**Hikvision Brazil**  
T +55 11 3318-0050  
Latam.support@hikvision.com

**Hikvision Turkey**  
T +90 (216)521 7070- 7074  
sales.tr@hikvision.com

**Hikvision Malaysia**  
T +601-7652-2413  
sales.my@hikvision.com

**Hikvision UK & Ireland**  
T +01628-902140  
sales.uk@hikvision.com

**Hikvision South Africa**  
Tel: +27 (10) 0351172  
sale.africa@hikvision.com

**Hikvision France**  
T +33(0)1-85-330-450  
info.fr@hikvision.com

**Hikvision Kazakhstan**  
T +7-727-9730667  
nikia.panfilov@hikvision.ru

**Hikvision Vietnam**  
T +84-974270888  
sales.vt@hikvision.com

**Hikvision UAE**  
T +971-4-4432090  
salesme@hikvision.com

**Hikvision Singapore**  
T +65-6684-4718  
sg@hikvision.com

**Hikvision Spain**  
T +34-91-737-16-55  
info.es@hikvision.com

**Hikvision Tashkent**  
T +99-87-1238-9438  
uzb@hikvision.ru

**Hikvision Hong Kong**  
T +852-2151-1761  
info.hk@hikvision.com

**Hikvision Russia**  
T +7-495-669-67-99  
saleru@hikvision.com

**Hikvision Korea**  
T +82-(0)31-731-8817  
sales.korea@hikvision.com

**Hikvision Poland**  
T +48-22-460-01-50  
info.pl@hikvision.com

**Hikvision Indonesia**  
T +62-21-2933759  
Sales.Indonesia@hikvision.com

**Hikvision Colombia**  
sales.colombia@hikvision.com